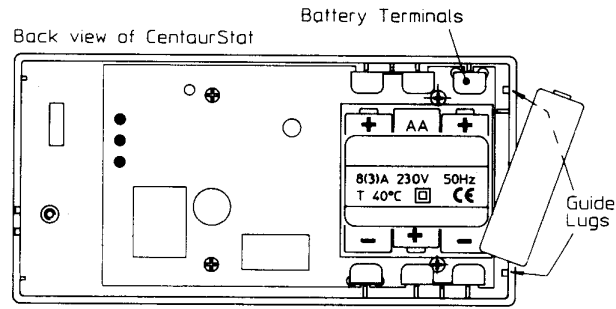


FITTING THE CENTAURSTAT

Ensure all dust and debris has been cleared away prior to fitting the unit. Insert the 3xAA size alkaline batteries (supplied) into the back of the CentaurStat. Make sure they are fitted correctly as shown on the label positioned between the battery terminals. (see diagram opposite).



Once batteries have been fitted, offer the left hand side of the unit up to the mounting plate ensuring that the two guide lugs are fitted into the corresponding slots in the side of the mounting plate. Now swing the right hand side of the CentaurStat up against the mounting plate until the release button clicks into place.

PRESS ANY BUTTON ON THE UNIT TO ACTIVATE THE DISPLAY

GENERAL INFORMATION

Before handing over a new installation to the end user always verify that the system responds correctly on all programmes (see User instructions) and that the other electrically operated equipment and controls are correctly adjusted.

Explain how to operate the unit to the user and hand over the User operating instructions.

The CentaurStat is not user serviceable except for the replacement of batteries.

SPECIFICATION

CentaurStat 1 - 24 hour and CentaurStat 7 - Weekday/Restday

Contact type: Micro dis-connection (Voltage free)

Contact rating: 8(3)Amps 230-240V AC

Power supply: 3 x AA size alkaline batteries

Battery life: In excess of 2 years

Operating voltage: 3.5 - 4.75V DC

Operating temperature range: 0°C to 40°C

Double insulated.

Dirt protection: Normal situations

Moisture protection: Normal situation

Storage temperature: -25°C - +60°C

Case material: Thermoplastic, flame retardant

Mounting: Directly to wall or onto a single or double gang wiring box (to BS4662 standard) by means of a patress

Dimensions: 142mm x 71mm x 30mm

Display: Liquid crystal, two digit temperature display and day of week indicator. (CentaurStat 7 only)

Clock: 12 hour AM/PM

Display time adjustment: 1 minute steps

Switched time adjustment: 10 minute steps

Target temperature adjustment: 1°C

Temperature control range: 6°C - 30°C or OFF

Temperature differential (Hysteresis) at 4°C per hour: <0.5°C

Temperature accuracy at 20°C:

19.75°C - 20.75°C (Conventional wet central heating system)

19.50°C - 21.50°C (Electric heating up to 8 Amps)

Temperature settings: CentaurStat 1 - 4 per 24 hours
CentaurStat 7 - 4 per weekday and
4 per restday

Override: Permanent temperature lock until reset, temporary temperature override until next preset heating period.

Horstmann Controls Limited

Bristol

BS4 1UP

t:0117 9788 773 - f:0117 9788 701

Email: sales@horstmann.co.uk
Website: www.horstmann.co.uk



LEAFLET No P30896
ISSUE 7

INSTALLATION INSTRUCTIONS
CENTAURSTAT 1 & 7



HORSTMANN

CENTAURSTAT ELECTRONIC PROGRAMMABLE THERMOSTATS can be programmed to create a comfortable yet efficient environment in your home.

INSTALLATION AND CONNECTION SHOULD ONLY BE CARRIED OUT BY A SUITABLY QUALIFIED PERSON AND IN ACCORDANCE WITH THE CURRENT EDITION OF THE IEE WIRING REGULATIONS.

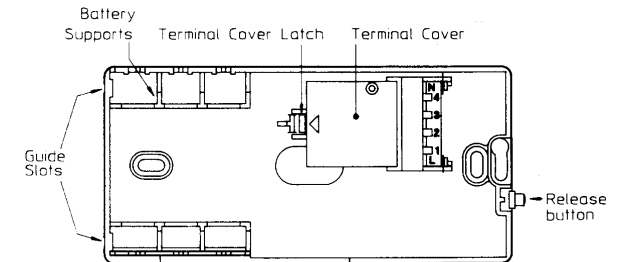
WARNING : ISOLATE MAINS SUPPLY BEFORE COMMENCING INSTALLATION

CHOOSING A LOCATION FOR YOUR CENTAURSTAT

The CentaurStat should be mounted on an internal wall approximately 1.5 meters from floor level and should be in a position away from draughts, direct heat and sunlight.

Ensure that there will be enough space to the right of the mounting plate to allow easy access to the release button.

Please study the diagram opposite to familiarise yourself with the mounting plate before commencing with the installation.



FITTING THE MOUNTING PLATE

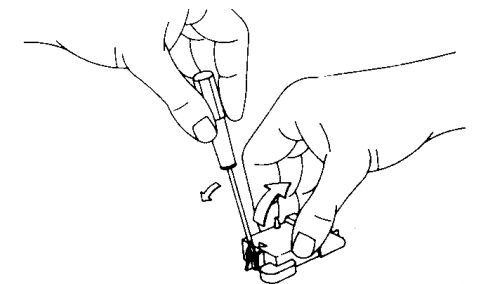
DIRECT WALL MOUNTING

The CentaurStat as supplied is intended for direct wall mounting.

A mounting plate is fitted to the back of the unit, this will need to be removed before installation. To remove, press the release button located on the right hand side of the unit and gently pull the mounting plate away from the CentaurStat body.

The terminal cover on the mounting plate should now be opened. Use a suitably sized screwdriver to open the terminal cover latch. (see diagram) This will expose the connection terminals, middle fixing screw location and the aperture through which all the wiring will enter the mounting plate.

The CentaurStat can be mounted on a single or double gang flush wiring box, complying with BS4662 by means of a special patress.



WIRING BOX MOUNTING

The patress is available from the Horstmann sales department (t:0117 9788 770) at a nominal charge. The patress should be fitted over the wiring box using M3.5 screws (not included), the mounting plate should be fitted to the patress via self tapping screws (not included).

NOTE: The CentaurStat is intended for surface mounting, only on a flat surface, it should not be mounted on a surface mounted wall box. The CentaurStat is unsuitable for mounting on unearthed metal surfaces.

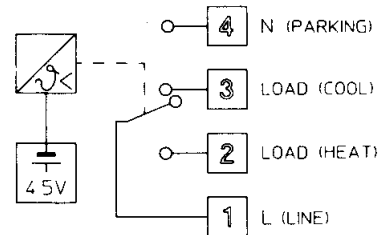
ELECTRICAL CONNECTIONS

The CentaurStat is battery powered and therefore does not require a mains supply. It also has voltage free contacts which makes it suitable for controlling Low voltage systems.

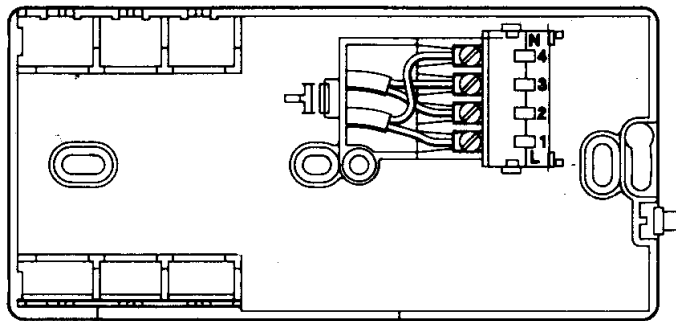
The CentaurStat is double insulated and therefore does not require earthing. However continuity of existing earth wiring should be maintained, this can be achieved by the use of separate connectors, and any spare earth conductors should be made electrically safe.

The recommended cable sizes are 1.0mm or 1.5mm

All wiring should be completed prior to fitting the CentaurStat to the mounting plate. No conductors should protrude outside of the area enclosed by the terminal cover. The diagram opposite shows the internal connection for the CentaurStat and the typical wiring connections to the mounting plate.



When all electrical connections are complete, close the terminal cover allowing the cover to latch into place. The terminal cover should now be secure.



FITTING THE CENTAURSTAT

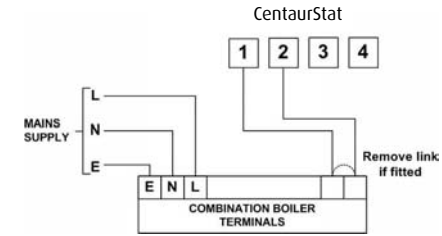
There are many applications for the CentaurStat. Example circuit diagrams for some typical installations are shown on page 3. These diagrams are schematic and should be used as a guide only. **Please ensure that all installations comply with the current IEE regulations.**

For reasons of space and clarity not every system has been included and the diagrams have been simplified, for instance some Earth connections have been omitted. Other control components shown in the diagrams i.e. Valves, RoomStats etc are general representations only. However the wiring detail can be applied to the corresponding models of most manufactures e.g. Horstmann, Honeywell, Danfoss Randall, ACL Drayton etc.

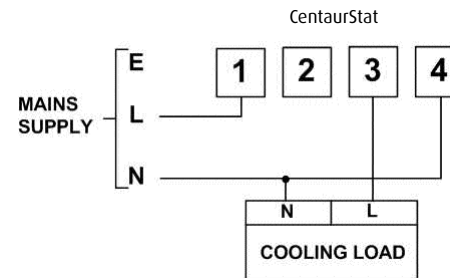
FITTING THE CENTAURSTAT (CONT.)

Cylinder and Room Thermostat Key:

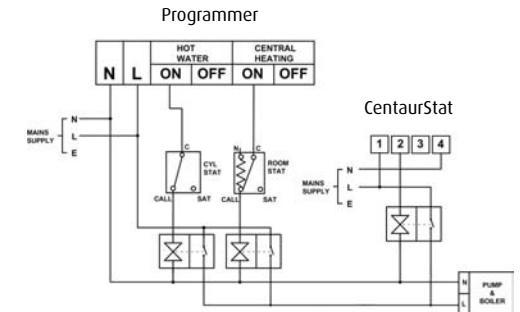
C = Common CALL = Call for heat or break on rise SAT = Satisfied on rise N = Neutral



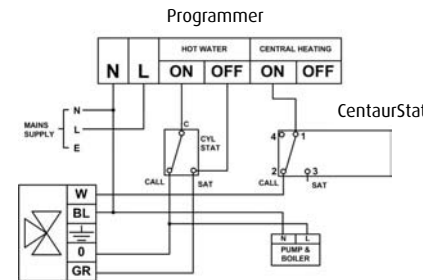
Horstmann CentaurStat controlling typical combination boiler installation. For precise termination connection information please refer to the boiler manufactures instructions.



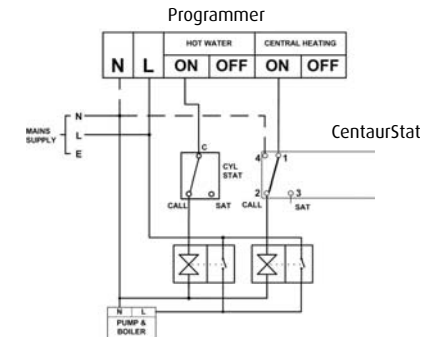
Horstmann CentaurStat wired to control a cooling load. When necessary the CentaurStat should be used in conjunction with a contactor.



Horstmann CentaurStat controlling a secondary heating zone on a fully pumped system with existing programmer and two spring return valves with auxiliary switches.



Horstmann CentaurStat replacing a conventional room thermostat on a fully pumped system with an existing programmer and 3 port mid-position valve.



Horstmann CentaurStat replacing a conventional room thermostat on a fully pumped system with an existing programmer and two spring return valves with auxiliary switches.

If replacing an existing room thermostat with an accelerator heater, the neutral wire should be put into terminal 4 of the CentaurStat. The programmer should be left in situ to control Hot water, with Central heating programmed to constant.