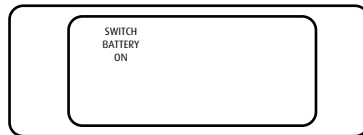


FITTING THE PROGRAMMER (Cont.)

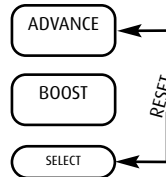
If the unit is installed with the commissioning switch in the OFF position, the word 'SWITCH BATTERY ON' will flash on the display when the mains power is supplied. The switch will need to be moved into the correct position before proceeding further.



UPON COMPLETION OF INSTALLATION PLEASE RESET THE PROGRAMMER BEFORE SETTING THE HEATING AND HOT WATER OPERATIONS.

RESETTING THE PROGRAMMER

Lower the front flap of the unit. On the Hot water channel press the ADVANCE and SELECT buttons together, release the buttons and the programmer will return to the preset factory settings. The Preset factory settings are illustrated on page 2 of the USER GUIDE.



The unit can now be programmed to suit the User's requirements. Please refer to the User's Guide provided.

GENERAL INFORMATION

Before handing over the installation to the user, always ensure that the system responds correctly on all control programmes and that other electrically operated equipment and controls are correctly adjusted.

EXPLAIN HOW TO OPERATE THE CONTROLS AND HAND OVER THE USERS OPERATING INSTRUCTIONS TO THE USER.

SPECIFICATION H37VXL

Contact type: Micro dis-connection (Voltage free)

Contact rating: 3(1)Amps 230-240V AC

Power supply: 230-240V AC 50Hz

Operating Temperature range: 0°C to 55°C

Double insulated.

Dirt protection: Normal situations.

Enclosure protection: IP30

Purpose of control: Electronic time switch

Independently mounted control for surface mounting.

Operating time limitation: Continuous

Type 1 Action

Battery Reserve: 10 months continuous operation (minimum)

Case material: Thermoplastic, flame retardant

Dimensions: 163mm x 101mm x 33mm

Display: Liquid crystal

Clock: 12 hour AM/PM

Display time adjustment: 1 Minute steps

Switched time adjustment: 10 Minute steps

Programme selection: Auto, On all day, On constant, Off, Holiday

Operating periods per day: Three for Heating 1, Heating 2 and Water (separate daily programme for each Channel)

Override: Boost, 1 or 2 Hours
Extension to ON period, 1or 2 Hour
Instant Advance

Backplate: 9 Pin terminal connection

Horstmann Controls Limited

Bristol

BS4 1UP

t:0117 9788 773 - f:0117 9788 701

Email: sales@horstmann.co.uk
Website: www.horstmann.co.uk



LEAFLET No P82109
ISSUE 1

CHANNELPLUS H37VXL
INSTALLATION INSTRUCTIONS



HORSTMANN

Horstmann's ChannelPlus H37VXL is the unique Three Channel programmer with volt free contacts, which allows up to three operating periods per day, seven days a week, on two independent Heating and one Hot water zone.

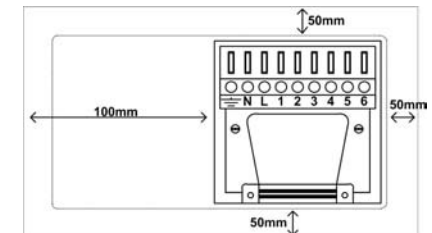
INSTALLATION AND CONNECTION SHOULD ONLY BE CARRIED OUT BY A SUITABLY QUALIFIED PERSON AND IN ACCORDANCE WITH THE CURRENT EDITION OF THE IEE WIRING REGULATIONS.

WARNING : ISOLATE MAINS SUPPLY BEFORE COMMENCING INSTALLATION

FITTING THE BACKPLATE

Once the Backplate has been removed from the packaging please ensure the programmer is re-sealed to prevent damage from dust, debris etc.

The Backplate should be fitted with the wiring terminals located at the top and in a position which allows the relevant clearances around the programmer. (See diagram)



DIRECT WALL MOUNTING

Offer the plate to the wall in the position where the programmer is to be mounted, remembering that the Backplate fits to the right hand end of the programmer.

Mark the fixing positions through the slots in the Backplate (Fixing centres 60.3mm), drill and plug the wall, then secure the plate in position. The slots in the Backplate will compensate for any misalignment of the fixings.

WIRING BOX MOUNTING

The Backplate may be fitted directly on to a single gang steel flush wiring box complying with BS4662, using two M3.5 screws.

ChannelPlus programmers are suitable for mounting on a flat surface only, they must not be positioned on a surface mounted wall box or on unearthed metal surfaces.

ELECTRICAL CONNECTIONS

All necessary electrical connections should now be made. Flush wiring can enter from the rear through the aperture in the Backplate. Surface wiring can only enter from beneath the programmer and must be securely clamped.

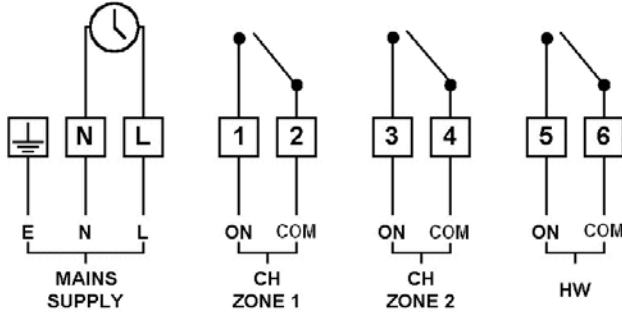
The mains supply terminals are intended to be connected to the supply by means of fixed wiring. The recommended cable sizes are 1.0mm² or 1.5mm².

ELECTRICAL CONNECTIONS

ChannelPlus programmers are double insulated and do not require an Earth connection but an Earth terminal is provided on the Backplate for terminating any cable Earth conductors. Earth continuity must be maintained and all bare Earth conductors must be sleeved. Ensure that no conductors are left protruding outside the central space enclosed by the Backplate.

INTERNAL WIRING DIAGRAM H37VXL

When used to control MAINS VOLTAGE SYSTEMS Terminals L,2,4 and 6 should be electrically linked by means of a suitable piece of sleeved conductor. When used to control LOW VOLTAGE SYSTEMS these links MUST NOT be fitted.



NEW INSTALLATIONS

An Example circuit diagram is shown below. This diagram is schematic and should be used as a guide only.

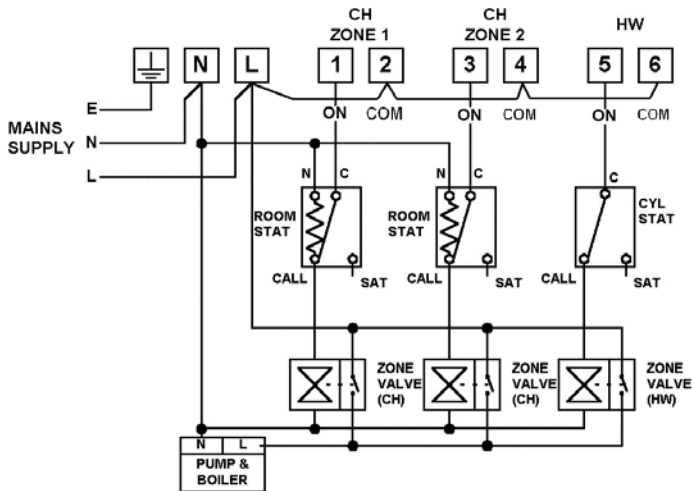
Please ensure that all installations comply with the current IEE regulations.

For reasons of space and clarity the diagrams have been simplified, for instance some Earth connections have been omitted.

Other control components shown in the diagrams i.e. Valves, RoomStats etc are general representations only. However the wiring detail can be applied to the corresponding models of most manufactures e.g. Horstmann, Honeywell, Danfoss Randall, ACL Drayton etc.

Cylinder and Room Thermostat Key:

C = Common CALL = Call for heat or break on rise SAT = Satisfied on rise N = Neutral



ChannelPlus H37VXL Controlling 3 x two port spring return zone valves via RoomStat and CylinderStat giving independent control of Hot water and two zones of Heating

NOTE: If the ChannelPlus H37VXL is being installed on an existing system additional equipment such as an extra zone valve may have to be fitted in order to achieve full three channel control.

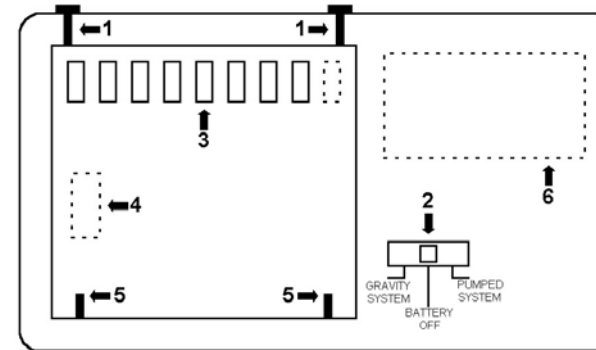
COMMISSIONING THE PROGRAMMER

Ensure all dust and debris has been cleared away from the work area before removing the programmer from its packaging. All ChannelPlus XL controls are fitted with battery reserve which maintains programmed times in the event of a mains power failure.

The battery must be switched on prior to fitting the control to the wiring plate.

This is achieved by means of a COMMISSIONING SWITCH situated on the back of the unit. (See below)

REAR VIEW OF CHANNELPLUS XL PROGRAMMER



- 1 - RETAINING SCREWS
- 2 - COMMISSIONING SWITCH
- 3 - CONNECTOR BLADES
- 4 - PRODUCTION DATE LABEL
- 5 - POSITIONING LUGS
- 6 - RATINGS LABEL

COMMISSIONING SWITCH

When the programmer is supplied the commissioning switch is in the OFF position. Using a suitably sized screwdriver or similar, move the switch to either the PUMPED or GRAVITY position. Moving the switch from the OFF position only activates the programmer's BATTERY RESERVE. When the programmer is running on BATTERY RESERVE the clock display will remain blank.

(NOTE: The GRAVITY position on the ChannelPLUS H37VXL will **only** commission the Battery, the programmer will not automatically provide a supply of Hot water during Central heating programmed times. Therefore Hot water time settings will have to be programmed to cover any Central heating requirements.)

FITTING THE PROGRAMMER

If surface wiring has been used, remove the knockout/insert from the bottom of the programmer to accommodate it.

Loosen the two 'captive' retaining screws on the top of the unit.

Now fit the programmer to the Backplate, line the lugs on the programmer with the flanges on the Backplate.

Swing the top of the programmer into position ensuring that the connection blades on the back of the unit locate into the terminal slots in the backplate.

Tighten the two 'captive' retaining screws to fix the unit securely, then switch on the mains supply.

